

Heavy Duty 30 Quart Planetary Mixer

MODELS:
PPM-30

Standard Features

- Three fixed speeds
- Gear driven transmission with aluminum alloy gear box
- 30-minute timer
- Safety cut-switch temporarily interrupts power if gears are changed without stopping the mixer
- Number 12 hub accommodates meat grinder or shredder attachments for flexibility between grinding and mixing
- Easy to reach controls
- Interlocked bowl lift and stainless-steel bowl guard with swing out bowl
- 6' cord with NEMA 5-15 plug
- Steel body with open base

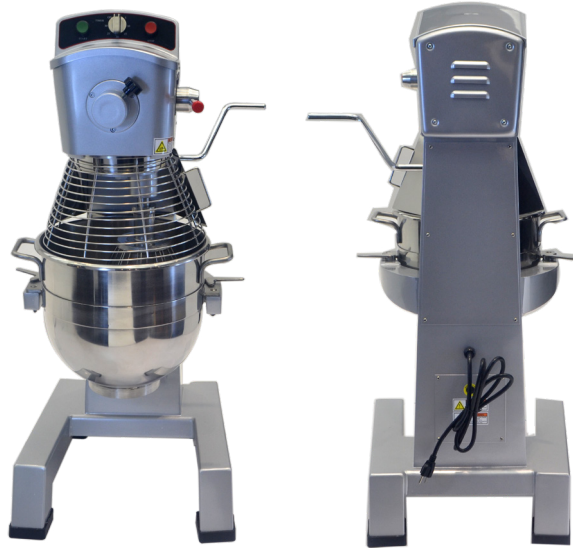


Standard Accessory Package

- Stainless steel bowl
- Aluminum flat beater
- Stainless steel wire whisk
- Aluminum spiral dough hook
- Non-slip rubber feet

Optional Accessories

- Meat grinder for #12 hub
- Slicer/Shredder/Grater for #12 hub



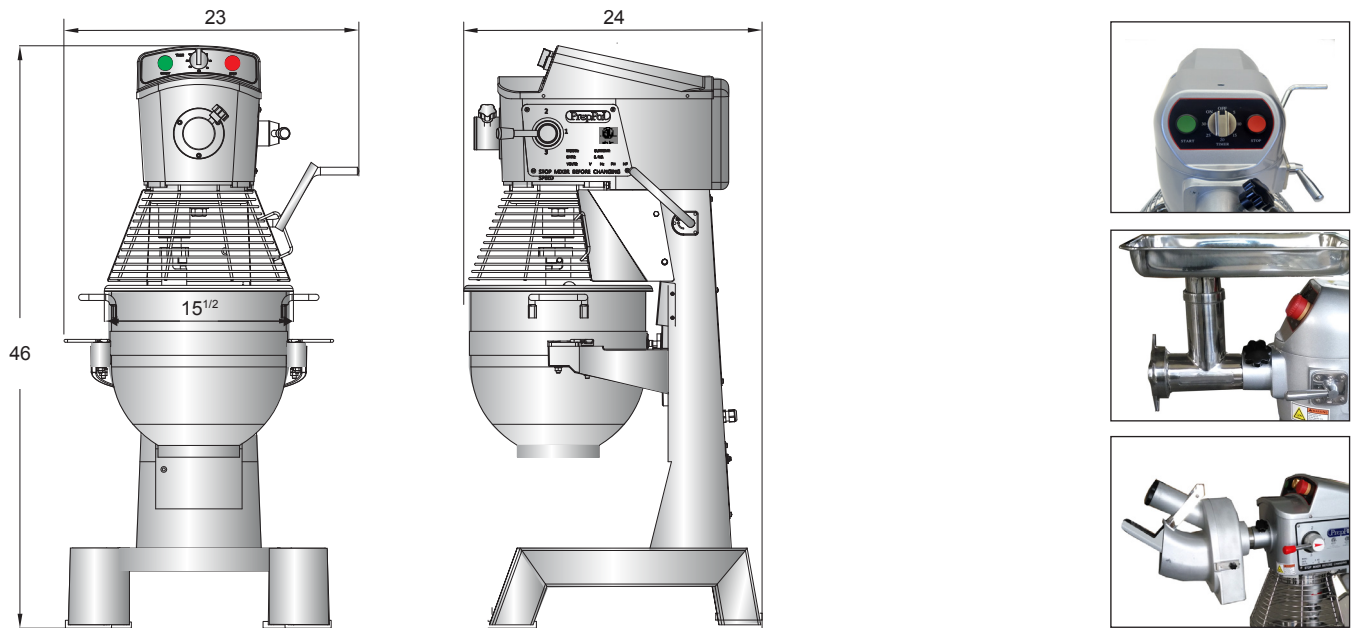
1 YEAR PARTS AND LABOR WARRANTY (US ONLY)



SPECIFICATIONS

Model	HP	Watts (W)	Voltage (V/Hz/Ph)	Amps (A)	Capacity (Quarts)	Exterior Dimensions (inch)	Net Weight (lbs)	Gross Weight (lbs)	Agitator Speed (RPMs)		
									First (low)	Second (intermediate)	Third (high)
PPM-30	2	1500	115/60/1	20	30	23×24×46	374	396	91	166	282

PLAN VIEW



STANDARD ACCESSORY PACKAGE

Mixing Bowl



Dough Hook



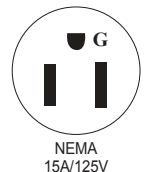
Wire whip



Flat beater



NEMA 5-15P



NEMA
15A/125V