



COOKING EQUIPMENT

SERVING THE FOOD INDUSTRY SINCE 1951

COUNTERTOP ELECTRIC FRYER

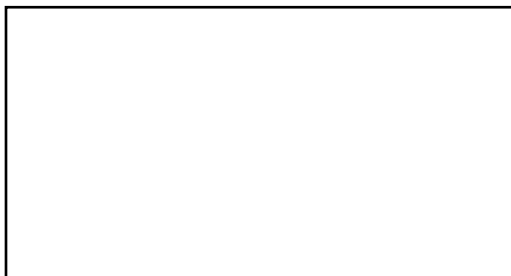
Item: 44522

Model: CE-CN-1700-F



Available only in CANADA

This countertop electric fryer is a great addition to any commercial kitchen that serves a variety of fried snacks such as fries, onion blossom, crispy vegetables, and funnel cakes. With a generous oil capacity of 3 gallons, you can ensure that you can easily produce products daily. The simple and lightweight design makes it portable and easy to set up at any venue.



Authorized Dealer



WARRANTY
PARTS AND LABOR

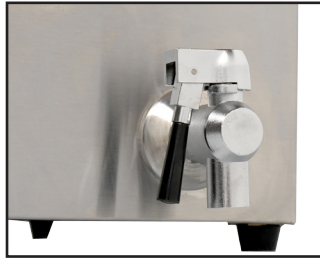


NEMA
5 - 20
125 VAC / 20 AMP



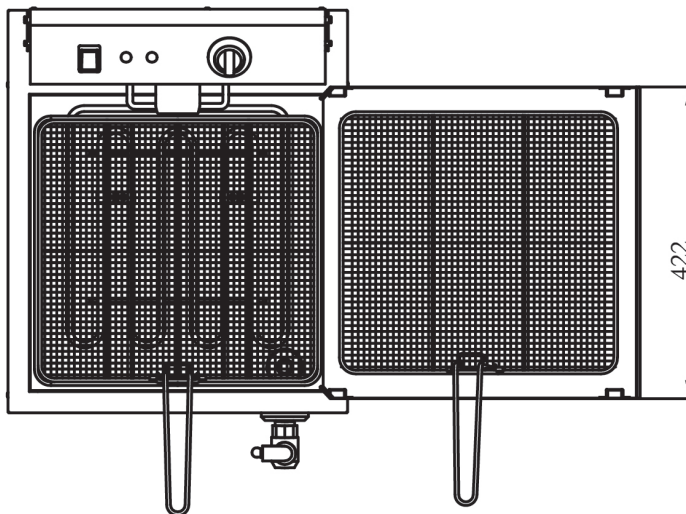
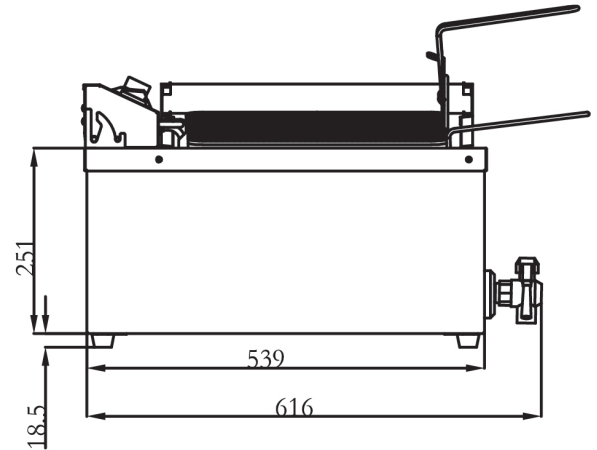
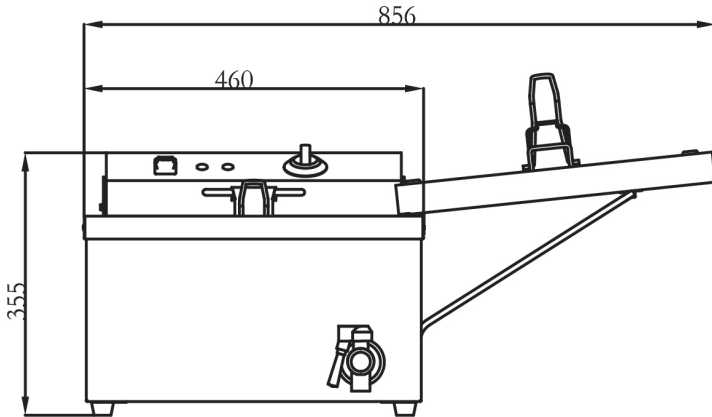
COOKING EQUIPMENT

COUNTERTOP ELECTRIC FRYER



TECHNICAL SPECIFICATIONS

ITEM NUMBER	44522
POWER (kW)	1.7KW
VOLUME OF OIL	25 lbs
ADJUSTABLE TEMPERATURE	200°-370°F
ELECTRICAL	120V/60HZ/1
AMPS	14.5
CORD LENGTH	1.5 m
COOKING AREA (WDH)	17.7" x 17.7" x 6" 450 x 450 x 152 mm
NUMBER OF SCREEN	1
SCREEN DIMENSION (DWH)	15" x 14" 379 x 355 mm
DIMENSIONS (DWH)	18" x 24" x 14" 460 x 616 x 355 mm
WEIGHT	17 kgs 37.5 lbs.
GROSS WEIGHT	25 kgs 55 lbs.



OMCAN INC.

Telephone: 1-800-465-0234

Fax: (905) 607-0234

E-mail: sales@omcan.com

Website: www.omcan.com



Follow us to keep up to date with the latest news and offers

