



SERVING THE FOOD INDUSTRY SINCE 1951

WALL SHELVES



Made of 18 gauge 430 stainless steel. The shelf is supported by two triangular brackets.

ITEM	DESCRIPTION	LOAD CAPACITY	GROSS DIMENSIONS	GROSS WEIGHT
22108	12" x 24" Stainless Steel Wall Shelf	209 lbs.	25" x 13" x 5"	9 lbs.
22109	12" x 36" Stainless Steel Wall Shelf	231 lbs.	37" x 13" x 5"	11 lbs.
22110	12" x 48" Stainless Steel Wall Shelf	253 lbs.	49" x 13" x 5"	14 lbs.
22111	12" x 60" Stainless Steel Wall Shelf	286 lbs.	61" x 13" x 5"	16 lbs.
30455	12" x 72" Stainless Steel Wall Shelf	286 lbs.	73" x 14" x 3"	20 lbs.
46508	14" x 24" Stainless Steel Wall Shelf	242 lbs.	25" x 15" x 3"	11.7 lbs.
46509	14" x 36" Stainless Steel Wall Shelf	275 lbs.	37" x 15" x 3"	15.6 lbs.
46510	14" x 48" Stainless Steel Wall Shelf	308 lbs.	49" x 15" x 3"	19.6 lbs.
46511	14" x 60" Stainless Steel Wall Shelf	352 lbs.	61" x 15" x 3"	23.5 lbs.
24409	16" x 36" Stainless Steel Wall Shelf	308 lbs.	37" x 17" x 5"	18 lbs.
24410	16" x 48" Stainless Steel Wall Shelf	352 lbs.	49" x 17" x 5"	21 lbs.
24411	16" x 60" Stainless Steel Wall Shelf	418 lbs.	61" x 17" x 5"	25 lbs.



WARRANTY



OMCAN INC.

Telephone: 1-800-465-0234
Fax: (905) 607-0234
Email: sales@omcan.com
Website: www.omcan.com

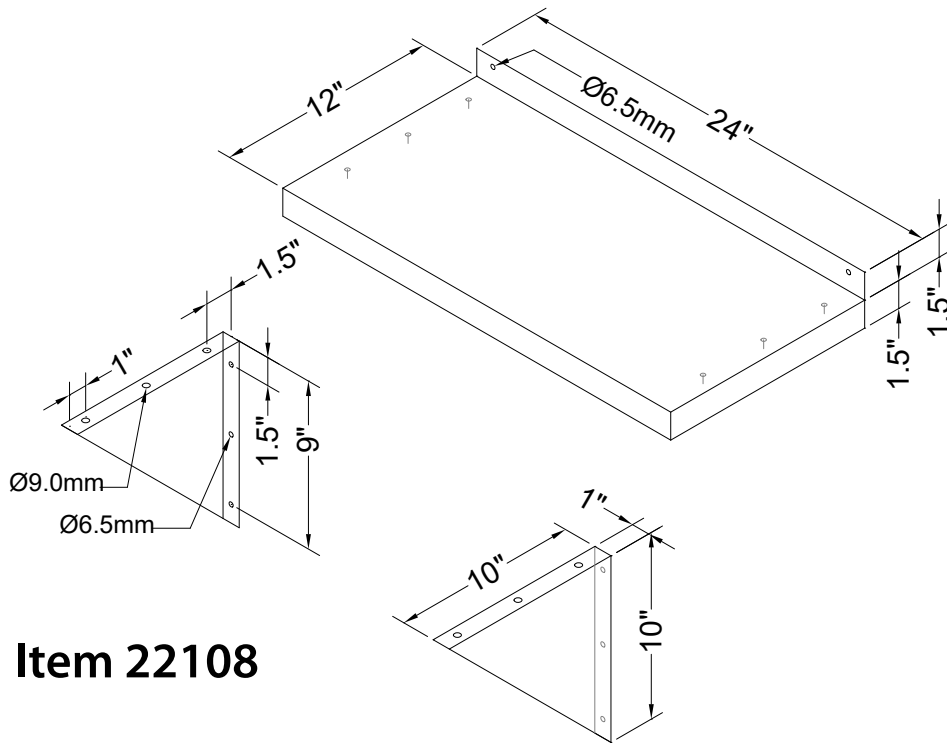


Follow us to keep up to date with the latest news and offers

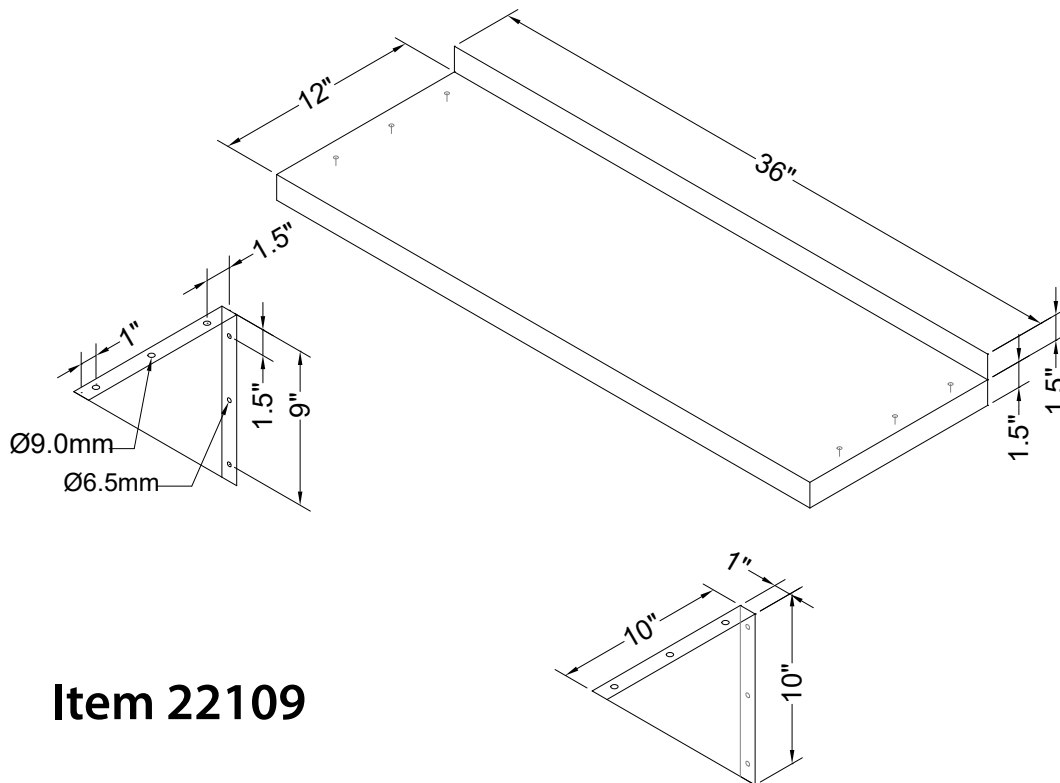


HANDLING AND STORAGE

TECHNICAL DRAWINGS - 22108 / 22109 WALL SHELVES



Item 22108



Item 22109

OMCAN INC.

Telephone: 1-800-465-0234

Fax: (905) 607-0234

Email: sales@omcan.com

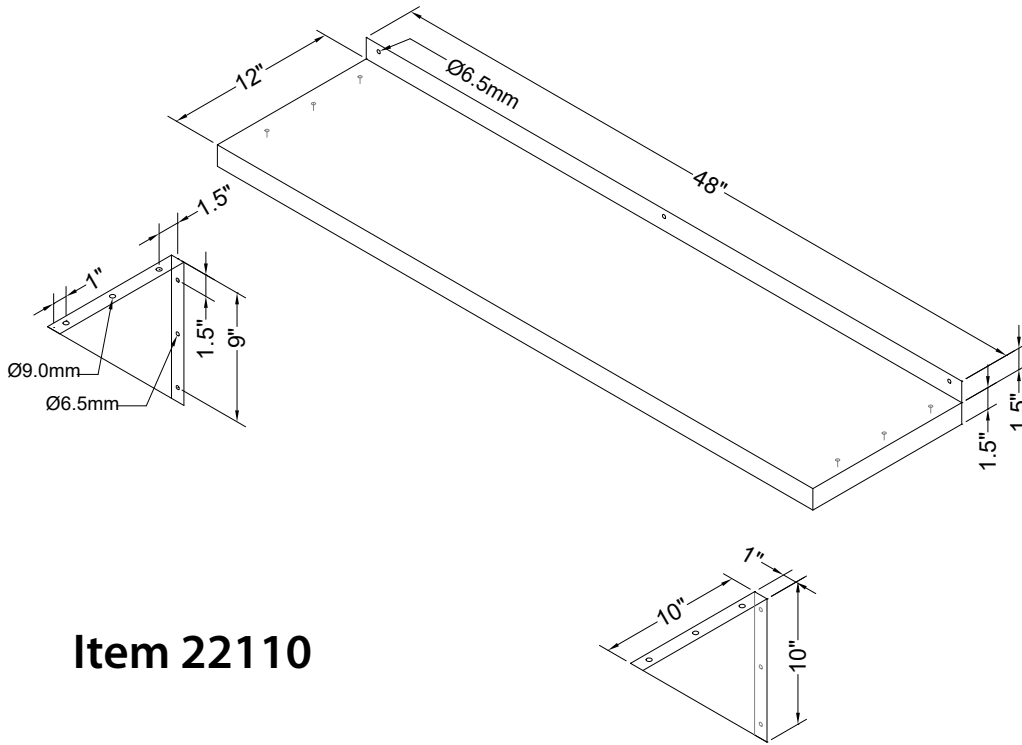
Website: www.omcan.com



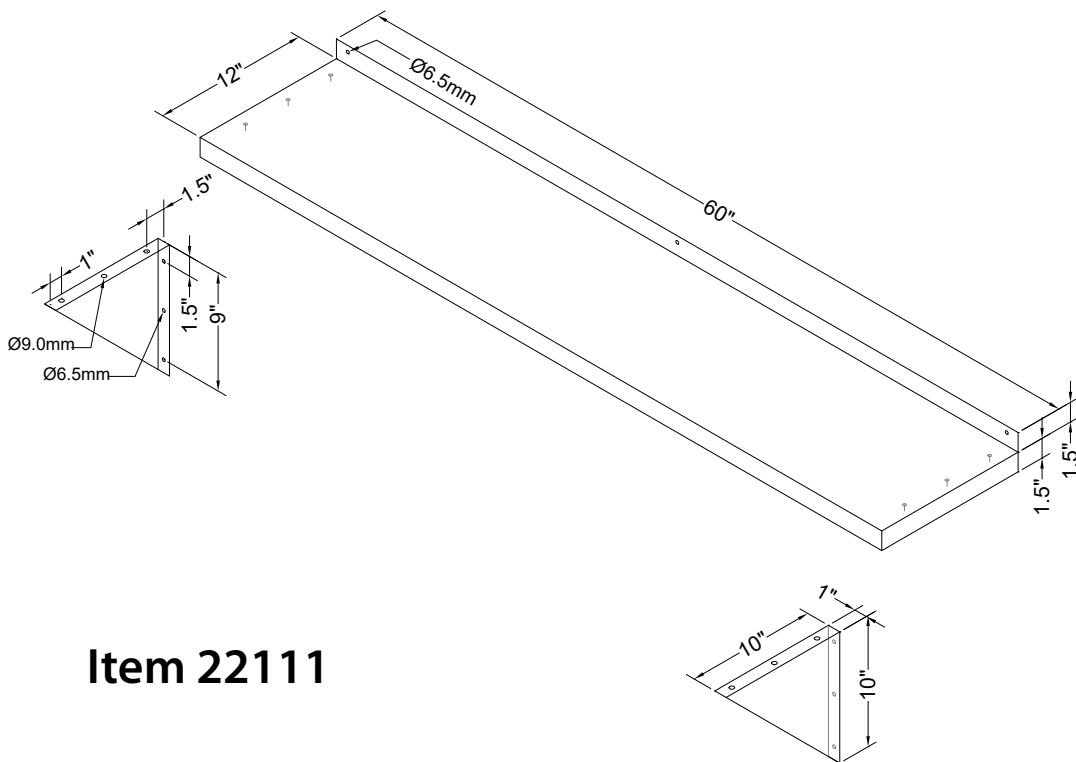
Follow us to keep up to date
with the latest news and offers



2019.E.O.E



Item 22110



Item 22111

OMCAN INC.

Telephone: 1-800-465-0234

Fax: (905) 607-0234

Email: sales@omcan.com

Website: www.omcan.com

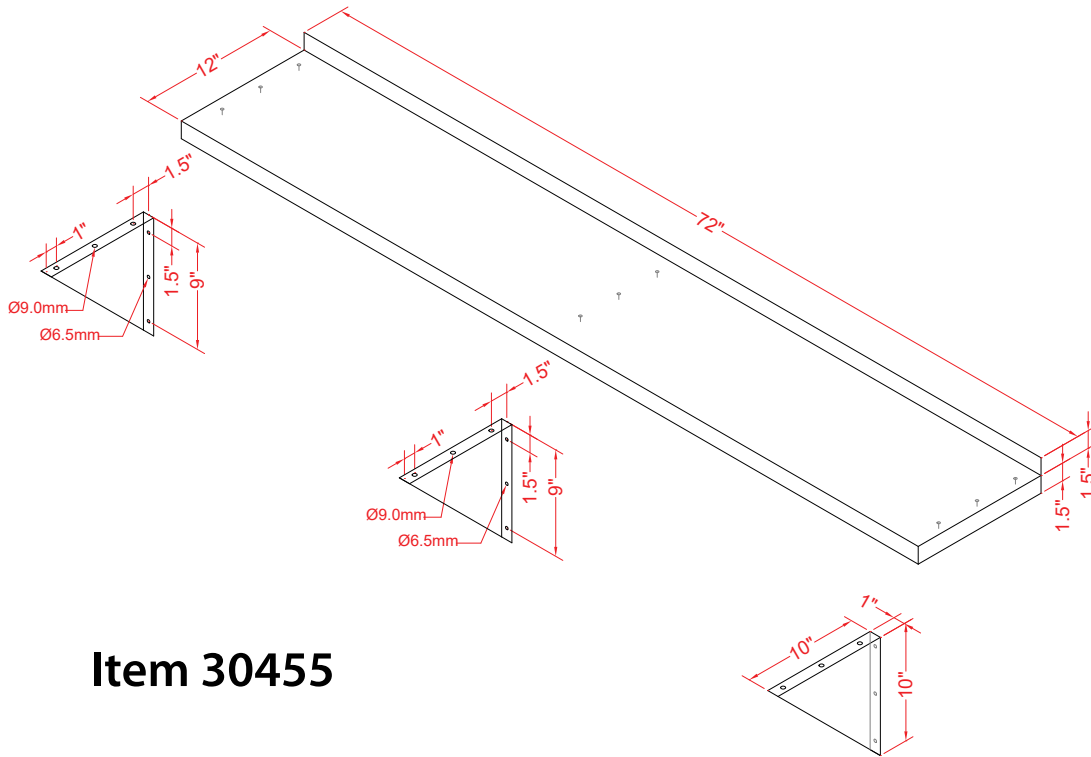


Follow us to keep up to date
with the latest news and offers

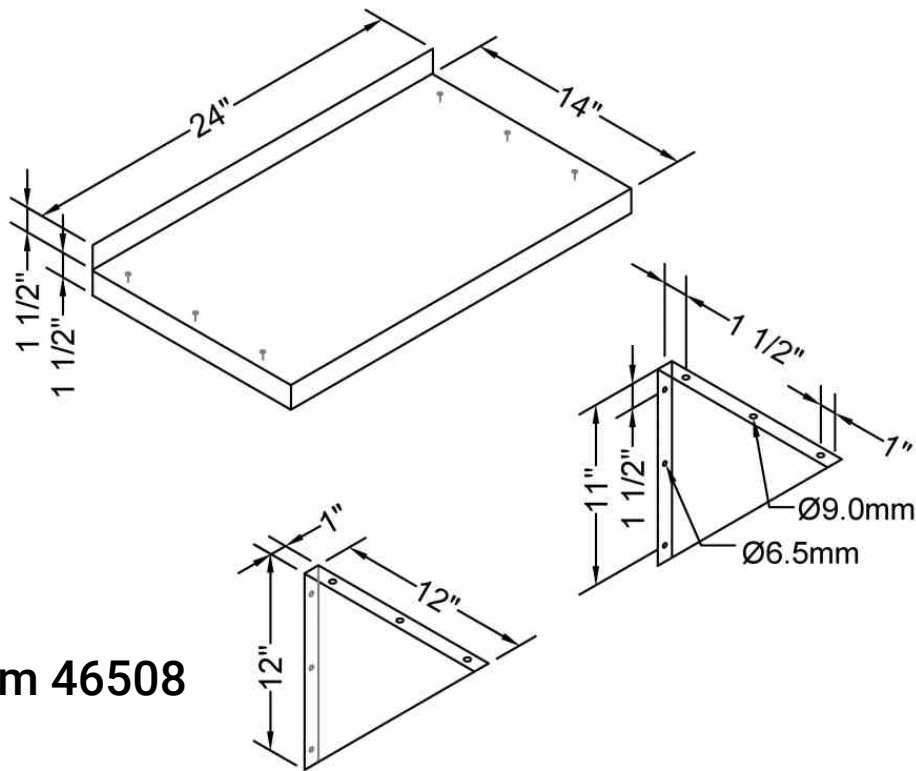


HANDLING AND STORAGE

TECHNICAL DRAWINGS - 30455 / 46508 WALL SHELVES



Item 30455



Item 46508

OMCAN INC.

Telephone: 1-800-465-0234
Fax: (905) 607-0234
Email: sales@omcan.com
Website: www.omcan.com



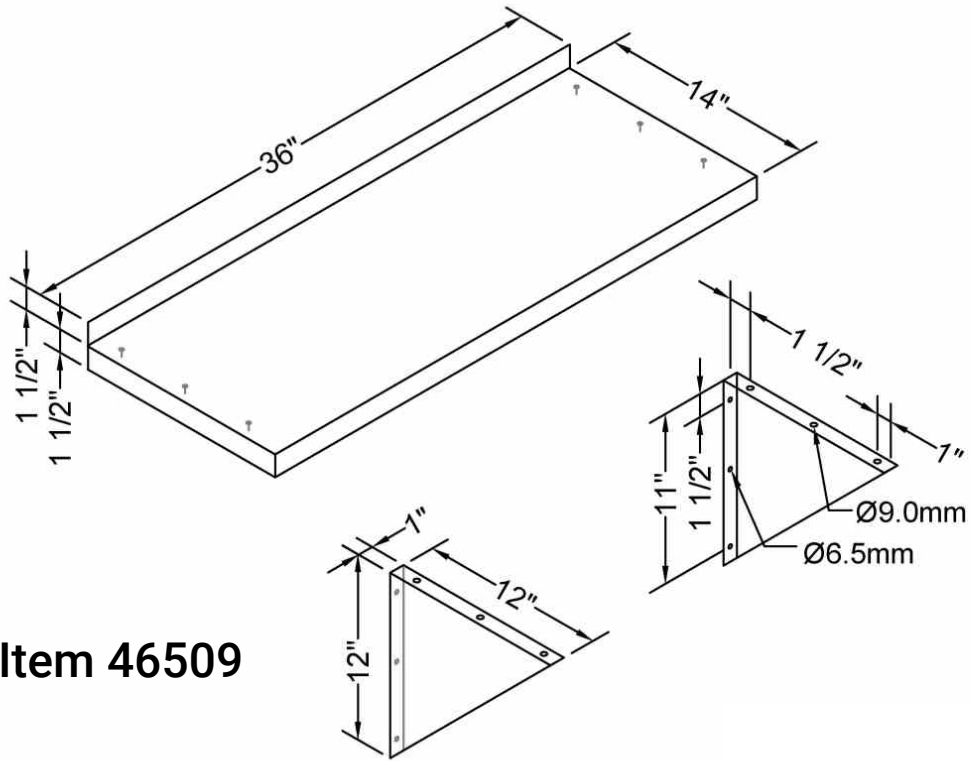
Follow us to keep up to date with the latest news and offers



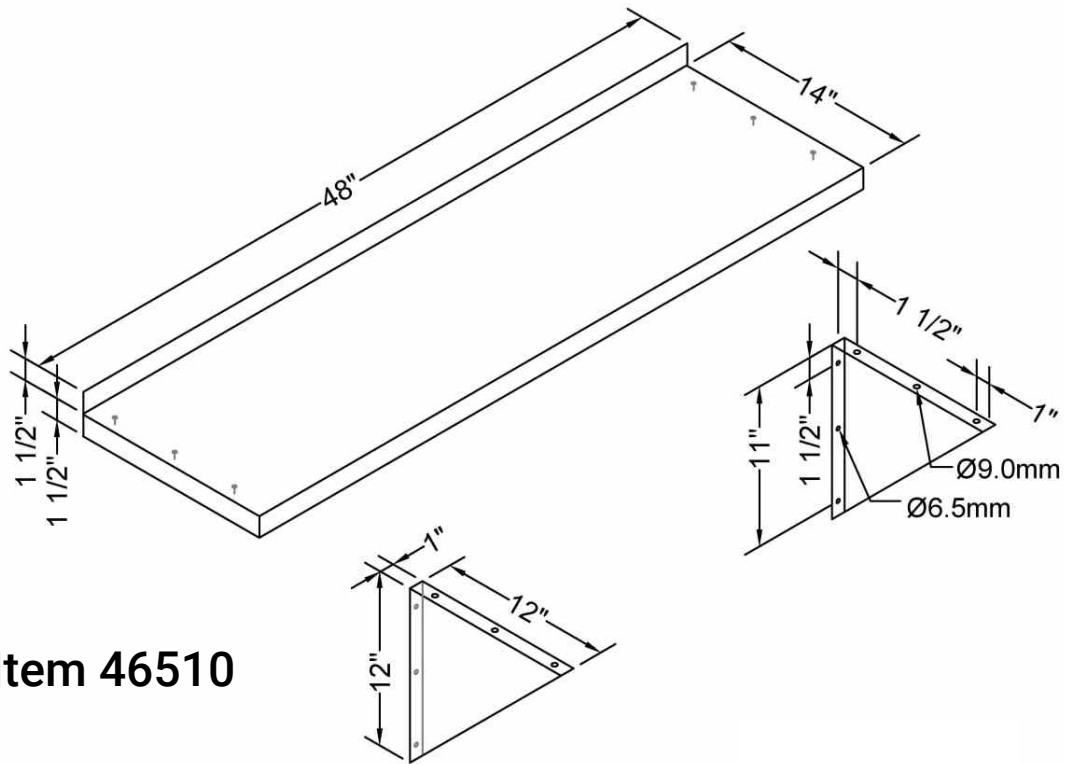
2019.E.O.E

HANDLING AND STORAGE

TECHNICAL DRAWINGS - 46509 / 46510 WALL SHELVES



Item 46509



Item 46510

OMCAN INC.

Telephone: 1-800-465-0234

Fax: (905) 607-0234

Email: sales@omcan.com

Website: www.omcan.com



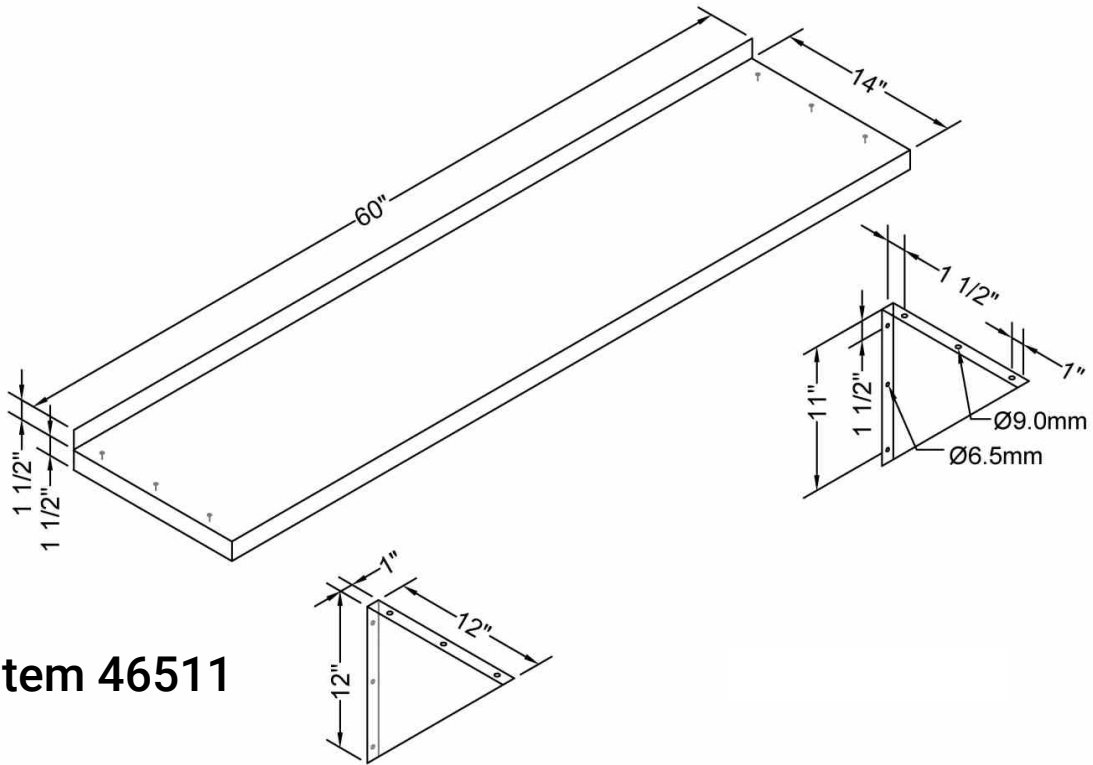
Follow us to keep up to date
with the latest news and offers



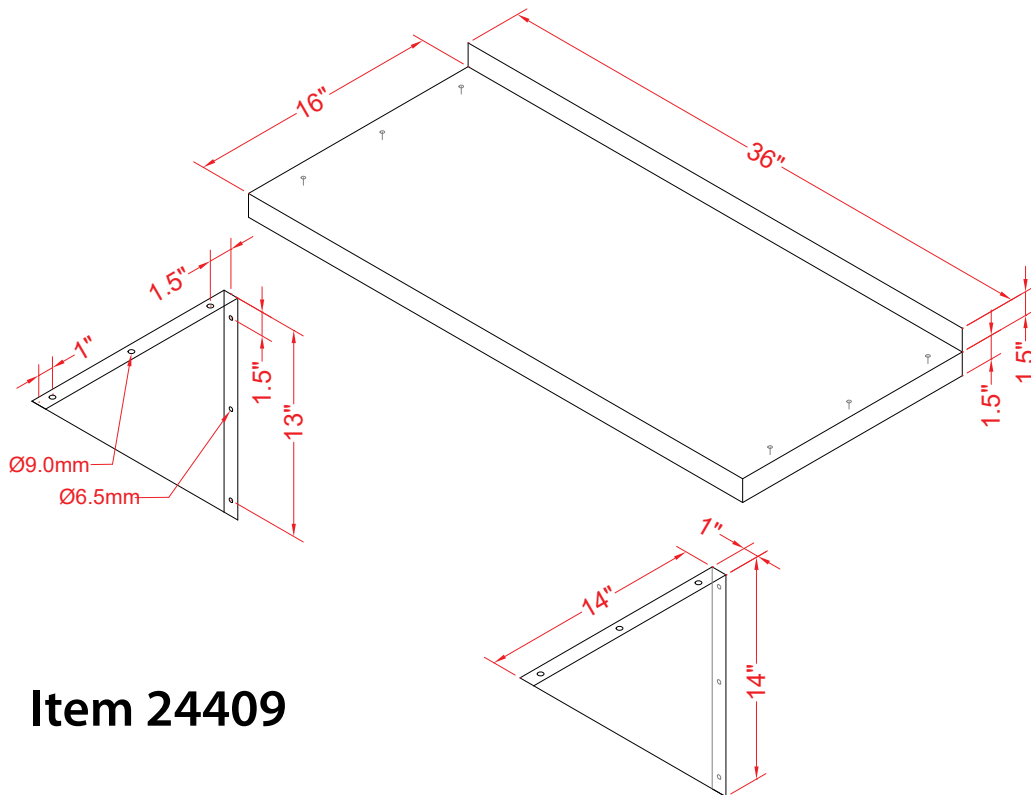
2019.E.O.E

HANDLING AND STORAGE

TECHNICAL DRAWINGS - 46511 / 24409 WALL SHELVES



Item 46511



Item 24409

OMCAN INC.

Telephone: 1-800-465-0234

Fax: (905) 607-0234

Email: sales@omcan.com

Website: www.omcan.com



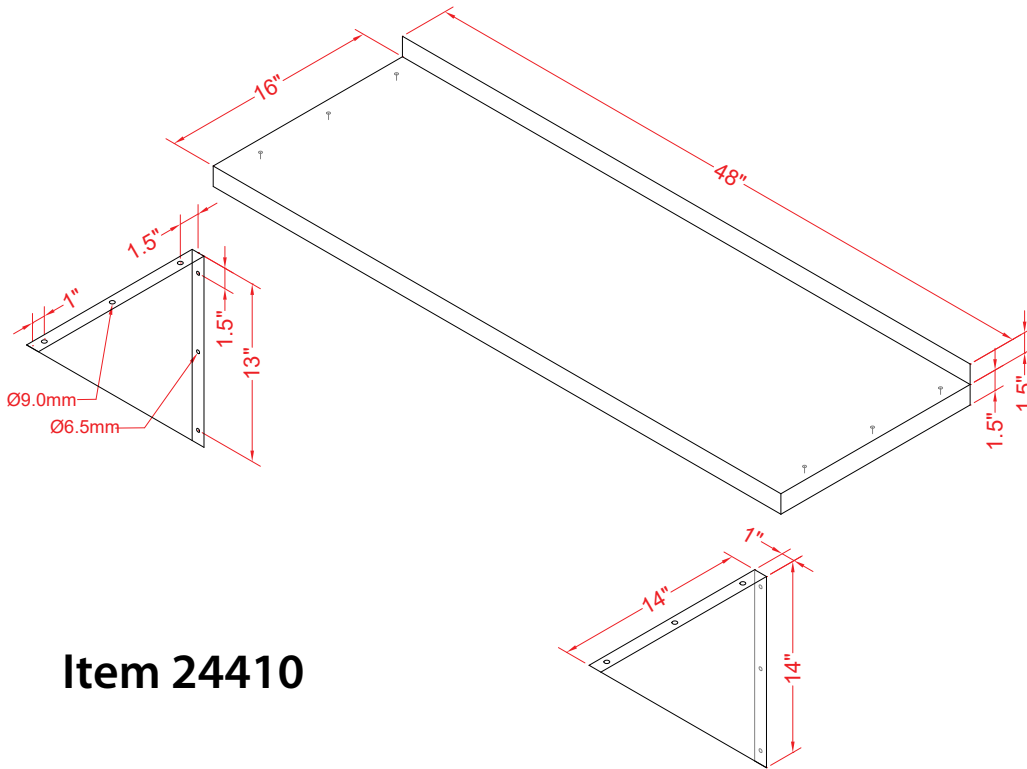
Follow us to keep up to date
with the latest news and offers



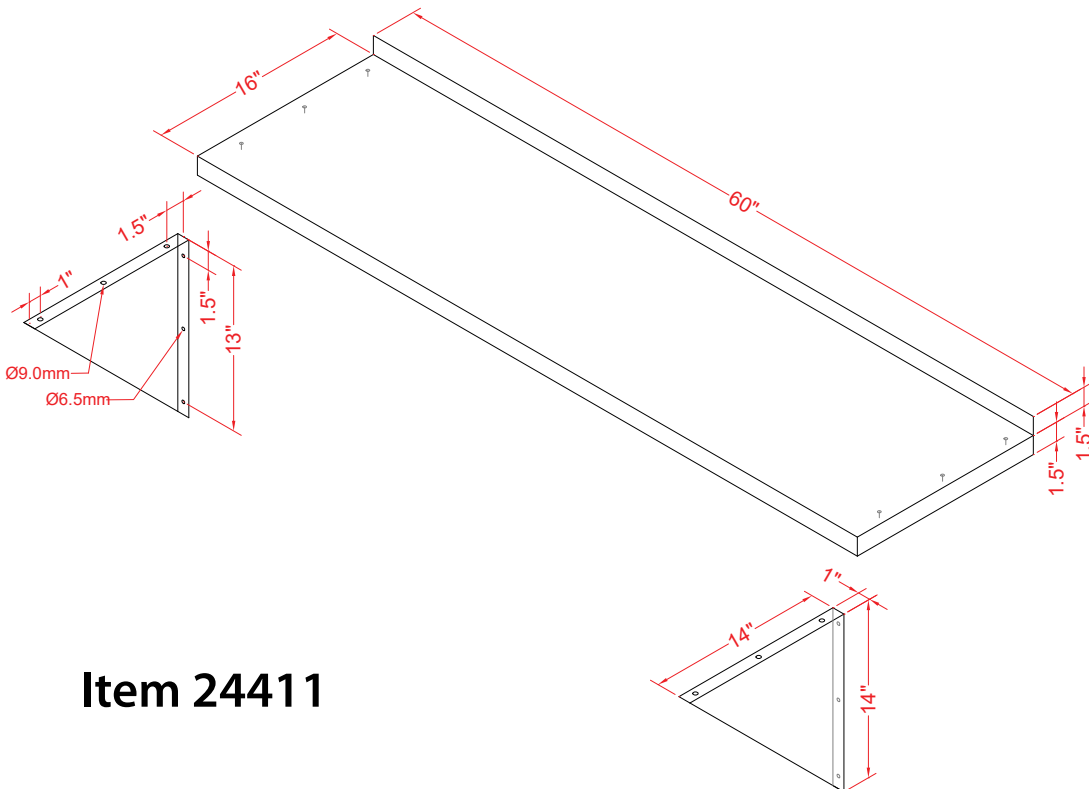
2019.E.O.E

HANDLING AND STORAGE

TECHNICAL DRAWINGS - 24410 / 24411 WALL SHELVES



Item 24410



Item 24411

OMCAN INC.

Telephone: 1-800-465-0234

Fax: (905) 607-0234

Email: sales@omcan.com

Website: www.omcan.com



Follow us to keep up to date with the latest news and offers



2019.E.O.E