



Equipment for the Foodservice Industry
value + quality + service

Refrigerated Deli Cases - Curved Glass Front Open

CDC-2000B-F



CDC-2000B-F

Features

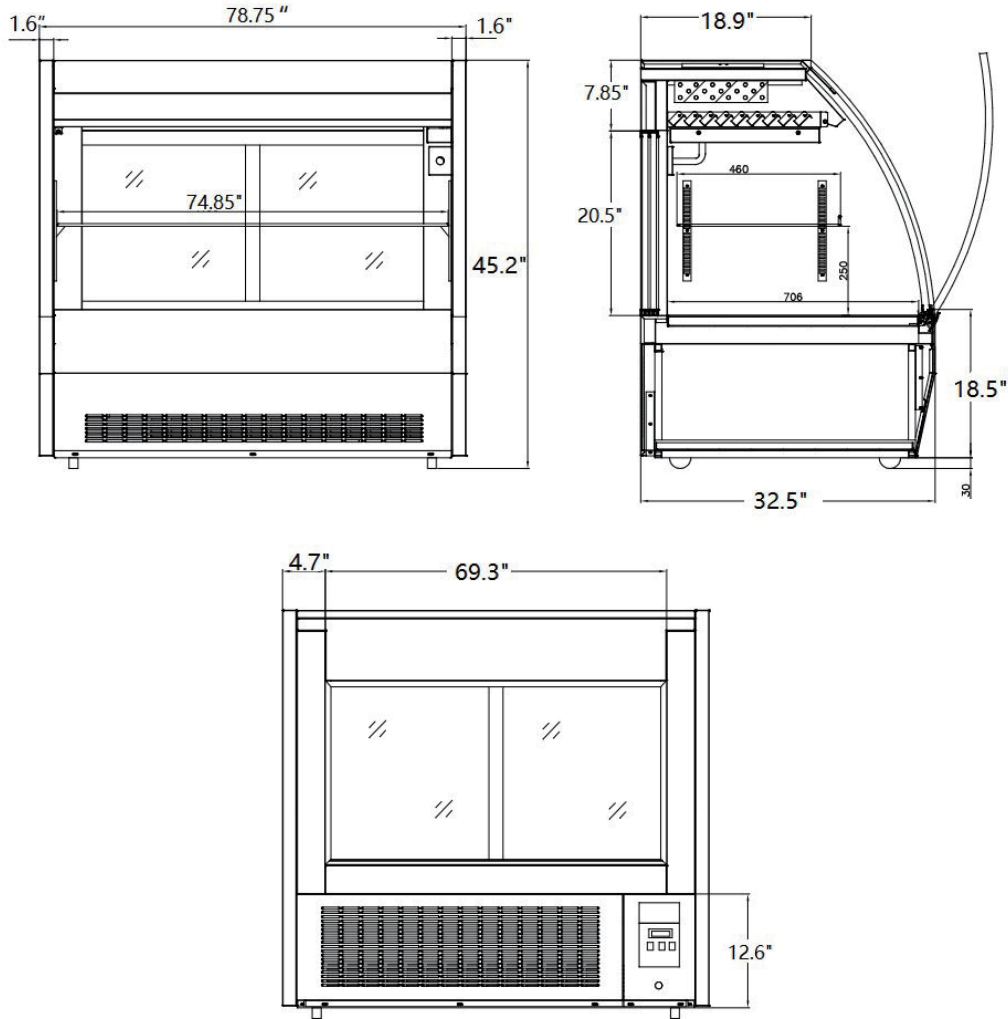
Features:


- Open front, curved double glazed safety glass with Low-E film inside of glass
- CABINET CONSTRUCTION
 - Exterior - black coated steel
 - Interior - coated metal
- Refrigeration system: gravity coil
- R290 refrigeration system provides high humidity environment for exceptional preservation of meats and deli products.
- Refrigeration system holds 32°F to 40°F (0°C to 5°C).
- Automatic defrost system for front glass and rear door
- High quality digital temperature controller
- Adjustable, heavy duty PVC coated shelves
- Standard casters
- Easily accessible condenser coil for cleaning, and easy service access
- LED illumination
- Warranty:
 - Two year parts and labour; Five years on compressor.

For full warranty details visit <https://www.efifoodequip.com/warranty-info.php>



CDC-2000B-F Specifications



Model	Doors	Shelves	Cabinet Dimensions (inches / mm)			Capacity (L) / (Cu Ft.)	HP	Voltage	Amps	Net Weight (KG) / (LBS)	NEMA Config.
			L	D	H						
CDC-2000B-F	2	1	78.7 / 1999	32.5 / 825.5	45.2 / 1148	903 / 32	1/2	110/60	6	286 / 630	5-15P 

Specifications subject to change without notice.