



Equipment for the Foodservice Industry
value + quality + service

COUNTERTOP DISPLAY CASES

CGCM-CT-4827



CGCM-CT-4827 Features

Features:

- Stainless steel exterior & interior with black frames
- Rear mount compressor with environmentally friendly R290 refrigerant
- Rotor digital controller
- Two (2) adjustable chrome plated shelves
- Defog feature to ensure the glass stays clear
- Maintains temperatures between 32°F - 53.6°F
- Magnetic door gasket(s) standard for positive door seal
- Two (2) rear sliding doors

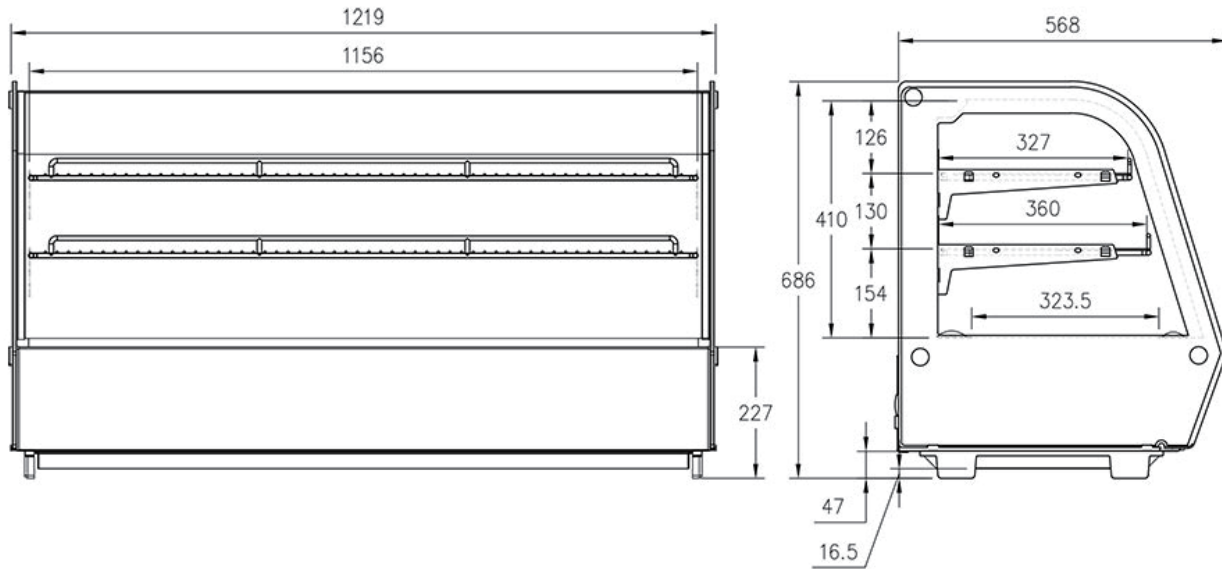
- LED interior lighting
- Leveling legs


Warranty:

- Two year parts and labour; Five years on compressor. *For full warranty details visit <https://www.efifoodequip.com/warranty-info.php>*



CGCM-CT-4827 Specifications



Model	Refrigerant	Shelves	Dimension (mm) (inch)			HP	Voltage	Amps	Capacity (L) (Cu Ft.)	Net Weight (KG) (LBS)	Temperature Range	NEMA Config.
			L	D	H							
CGCM-CT-4827	R290a	2	1219	568	686	1/5	115/60	3.9	200	88.5	0 ~ 12°C	5-15P 
			48	22.4	27				7.1	194.7	32 ~ 53.6°F	

Specifications subject to change without notice.