



Equipment for the Foodservice Industry

value + quality + service

Salad/Sandwich Prep Tables

CSDR1-27VC-R



CSDR1-27VC-R Features

Features:

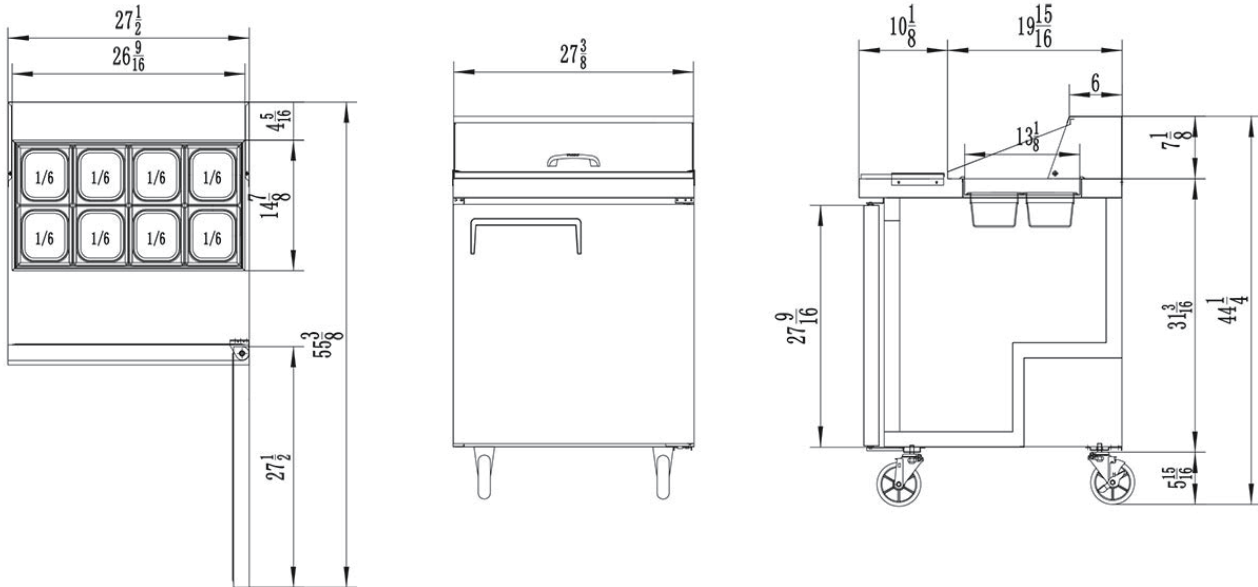
- Front breathing, side mount compressor
- Exterior & interior stainless steel construction
- Environmentally friendly R290 refrigerant
- Heavy duty Embraco compressor
- Self-closing and stay open door
- Efficient refrigeration system
- Recessed door handle
- Standard safety door lock
- Magnetic door gaskets
- Casters for easy movement
- Pre-installed shelves

Warranty:


- Two year parts and labour; Five years on compressor. *For full warranty details visit <https://www.efifoodequip.com/warranty-info.php>*



CSDR1-27VC-R Specifications



Model	Refrigrant	Doors	Shelves	Dimension (mm) (inch)			HP	Voltage	Amps	Capacity (L) (Cu Ft.)	Net Weight (KG) (LBS)	Temperature Range
				L	D	H						
CSDR1-27VC-R	R290	1	1	698	762	1109	1/6	115/60	2.3	202	72	1 ~ 8°C
				27.5	30.0	43.7				7.2	158	33 ~ 45°F

Equipped with one NEMA 5-15P plug 

Shipping Information

Crate Dimensions (mm) (inch)			Net Weight (KG) (LBS)	Gross Weight (KG) (LBS)
L	D	H		
752	831	1186	72	89
29.6	32.7	46.7	159	196

Specifications subject to change without notice.