



NUGGET / FLAKE
ICE MACHINE

IM-0770-AN/AF

AIR COOLED

KEY FEATURES:

- Nugget 717 lbs / Flake 760 lbs max production (70F/50F, 24H) Food / grocery / beverage stores, fish market, salad bar, cold therapy, and healthcare
- Rugged stainless-steel evaporator
- Innovative auger design and motor alignment ensures reliability Space saving solution with powerful performance
- Designed for easy installation and service
- Automatic flush cycle for cleaner Ice
- Easy to maintain and clean
- Simple but informative inner control panel
- Easy to read front control display
- High reliability and low maintenance
- 304 durable stainless-steel construction
- R-404A refrigerant

STANDARD WARRANTY:

- Ice Maker: 3-Year Parts & Labor
- Compressor: 5-Year Parts & 3-Year Labor

Recommended Ice Storage Bin:

- IB-026-22 (22" wide, 265 lbs storage)
- IB-033/044 (30" wide, 350/440 lbs storage)



※ Bin top adapter needed to use IB-033/044 (30" Bins)
 IBT-2230R: 8" Bin top adapter to left mount 22" Head on IB-033/044
 IBT-2230B: 4" (2) Bin top adapters to center mount 22" Head on IB-033/044

CERTIFICATIONS



IM-0770-AN shown with IB-026-22



Easy to check and control
by the front display



Front & Left In / Rear Out
Air Flow

Recommended Water Filtration:

- IcePro 800 (replacement cartridge: IcePro)



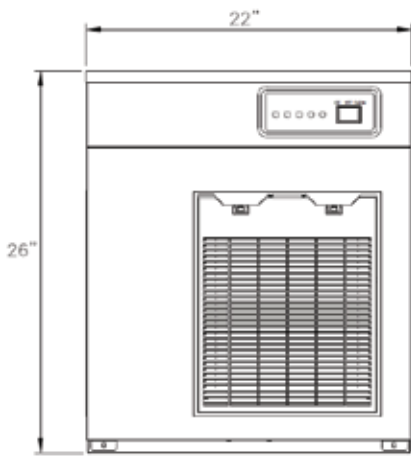
※ Extend Warranty Program when you install and register
 IcePro 800 water filtration with IM-0770-AN/AF.
 For more information, visit to www.icetroamerica.com/registration.



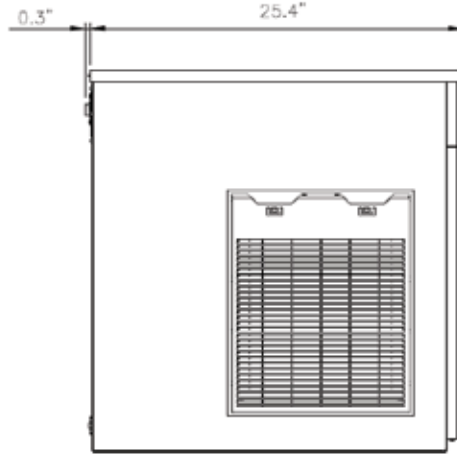
IM-0770-AN/AF

FLAKE/ NUGGET ICE MACHINE

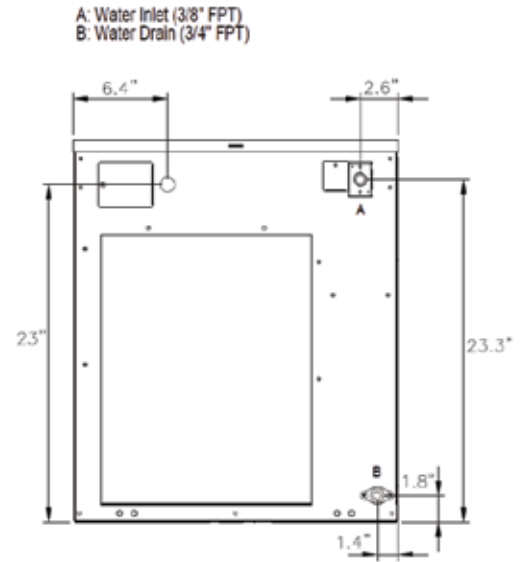
PLAN VIEW



FRONT VIEW



LEFT-SIDE



BACK VIEW

MODEL	DIMENSIONS	WIDTH	DEPTH	HEIGHT	WEIGHT	
IM-0770-AN / AF	Inch	22"	25"	26"	174 lbs (Net)	201 lbs (Shipping)

SPECIFICATIONS

Model	Ice Type	Ice Production 24 hrs		Water usage Gal / 100 lbs ice	Power kWh / 100 lbs ice	Electrical (V/Hz/ph)	Condenser	Minimum Circuit Breaker (A)
		Air/Water 70°F / 50°F	Air/Water 90°F / 70°F					
IM-0770-AF	Flake	760 lbs	556 lbs	14	5.49	115 / 60 / 1	Air Cooled	20
IM-0770-AN	Nugget	717 lbs	556 lbs					

OPERATING LIMITS	MIN	MAX
AMBIENT TEMP RANGE	50 °F	100 °F
WATER TEMP RANGE	50 °F	90 °F
WATER PRESSURE	20 psi (1.38 bar)	80 psi (5.52 bar)

ICE TYPE: Flake & Nugget



FLAKE



NUGGET

If you love your Ice...
It's time to love your Ice Machine!



* Design and specifications are subject to change without prior notice.